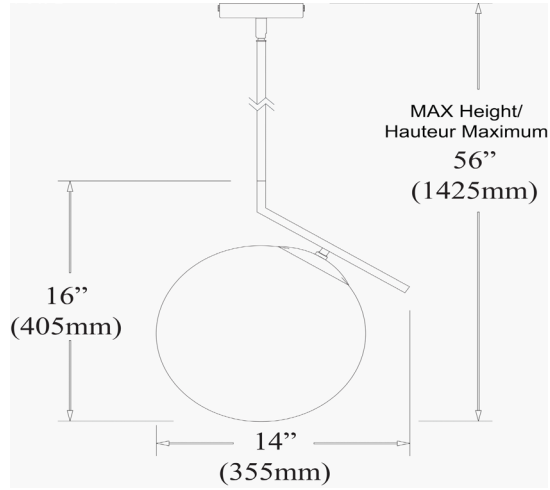


ORN-141P-PC-WH - Orion 1LT Incand White Glass Pendant, PC Finish

1 Light Incand White Glass Pendant, Polished Chrome Finish



Height	16.5"
Width/Length	14"
Depth	12"
Weight	5 lbs

Body Material	Glass
Finish/Color	White

Light Qty	1
Light Base	E26
Light Max Watt	60
Light Inc	No

Dimmable	Dimmable
LED Compatible	LED Compatible
Total Wattage	60W

Second Material	Metal
Second Finish/Color	Polished Chrome
Second Type of Finish	Electroplated

Rated For	Damp Location
Voltage	120V

Approval	cUL or equivalent
Warranty	1 Year Limited

Install Position	Ceiling
-------------------------	---------

Extension Length	39 (8+11+20)
-------------------------	--------------

Date:	Notes:
Fixture Type:	
Job Name:	

Lighting | LED | Shades | Custom Designs

www.dainolite.com | 1-888-564-1262 | dainolite@dainolite.com



TORONTO | BUFFALO