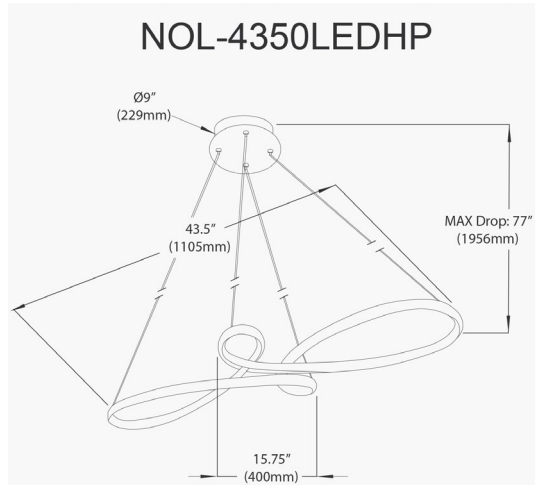
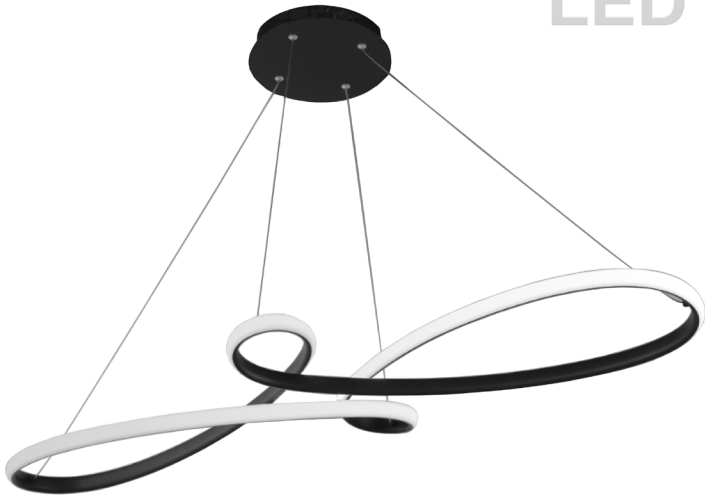


# NOL-4350LEDHP-MB - Nola 50W Horizontal Pendant, MB w/WH Silicone Diff

50W LED Horizontal Pendant, Matte Black with White Silicone Diffuser

LED



<b>Height</b>	3"
<b>Width/Length</b>	43.5"
<b>Depth</b>	15.75"
<b>Weight</b>	5.5 lbs

<b>Body Material</b>	Metal
<b>Finish/Color</b>	Black
<b>Type of Finish</b>	Painted

<b>Light Qty</b>	1
<b>Light Base</b>	LED
<b>Light Max Watt</b>	50
<b>Light Inc</b>	Yes
<b>Light Lumens</b>	3300
<b>Light CRI</b>	80+
<b>Light CCT</b>	3000K
<b>Light Life</b>	30000 Hours

<b>Dimmable</b>	Dimmable
<b>LED Compatible</b>	Integrated LED
<b>Total Wattage</b>	50W

<b>Rated For Voltage</b>	Damp Location 120V
--------------------------	-----------------------

<b>Approval</b>	cUL or equivalent
<b>Warranty</b>	3 Years Limited
<b>Install Position</b>	Ceiling

<b>Extension Length</b>	72
-------------------------	----

Date:	Notes:
Fixture Type:	
Job Name:	

Lighting | LED | Shades | Custom Designs

[www.dainolite.com](http://www.dainolite.com) | 1-888-564-1262 | [dainolite@dainolite.com](mailto:dainolite@dainolite.com)



TORONTO | BUFFALO