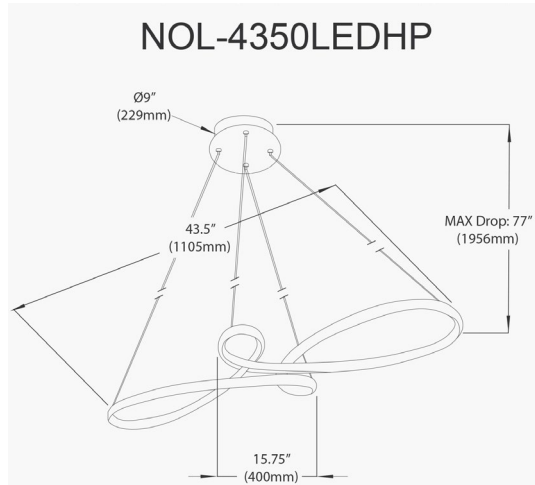


NOL-4350LEDHP-AGB - Nola 50W Horizontal Pendant, AGB w/ WH Silicone Diff

50W Horizontal Pendant Aged Brass with White Silicone Diffuser



Height	3"
Width/Length	43.5"
Depth	15.75"
Weight	5.5 lbs

Body Material	Metal
Finish/Color	Aged Brass
Type of Finish	Painted

Light Qty	1
Light Base	LED
Light Max Watt	50
Light Inc	Yes
Light Lumens	3300
Light CRI	90+
Light CCT	3000K
Light Life	30000 Hours

Dimmable	Dimmable
LED Compatible	Integrated LED
Total Wattage	50W

Second Material	Silicone
Second Finish/Color	White

Rated For	Damp Location
Voltage	120V

Approval	cUL or equivalent
Warranty	3 Years Limited

Install Position	Ceiling
-------------------------	---------

Extension Length	72
-------------------------	----

Date:	Notes:
Fixture Type:	
Job Name:	

Lighting | LED | Shades | Custom Designs

www.dainolite.com | 1-888-564-1262 | dainolite@dainolite.com



TORONTO | BUFFALO