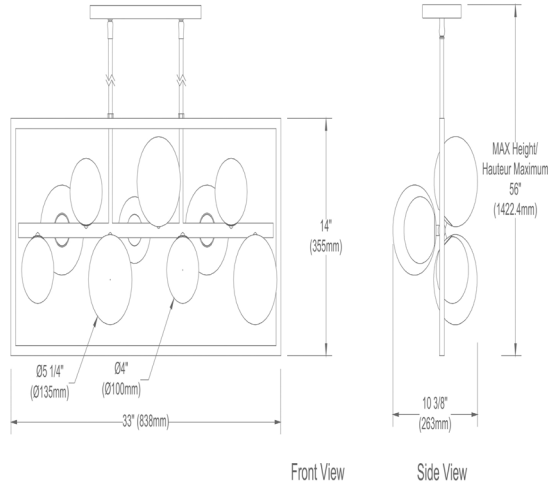
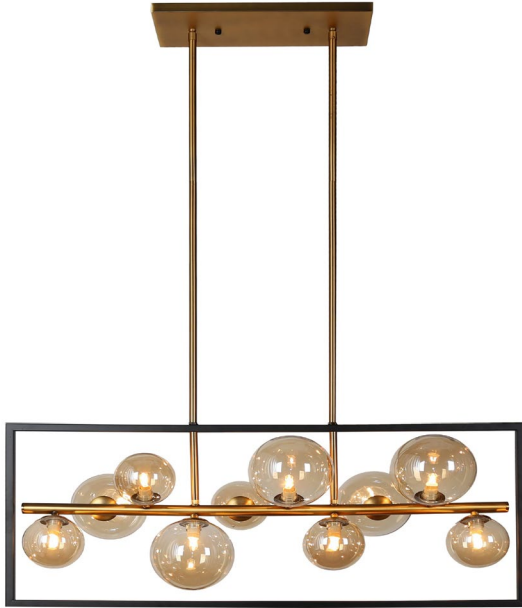


GLA-3310HP-MB-VB - Glasgow 10LT Halogen Horiz Pend MB & VB w/ Champagne Glass

10 Light Horizontal Pendant, Matte Black / Vintage Bronze Finish, Champagne Glass



Height	14"
Width/Length	33"
Depth	10.5"
Weight	14 lbs
Body Material	Metal
Finish/Color	Vintage Bronze
Type of Finish	Electroplated
Light Qty	10
Light Base	G9
Light Max Watt	25
Light Inc	No

Dimmable	Dimmable
LED Compatible	LED Compatible
Total Wattage	250W
Second Material	Glass
Second Finish/Color	Champagne
Second Type of Finish	Glass
Rated For	Dry Location
Voltage	120V
Approval	cUL or equivalent
Warranty	1 Year Limited
Install Position	Ceiling
Extension Length	39 (8+11+20)

Date:	Notes:
Fixture Type:	
Job Name:	

Lighting | LED | Shades | Custom Designs

www.dainolite.com | 1-888-564-1262 | dainolite@dainolite.com



TORONTO | BUFFALO