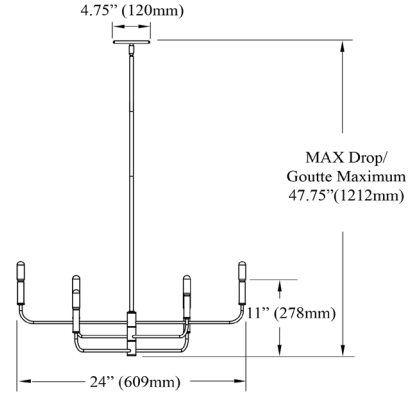


CNA-326C-MB - Catalina 6LT Chandelier, MB

6 Light Incandescent Chandelier Matte Black



CNA-326C



Height	11"
Width/Length	32"
Depth	32"
Weight	4 lbs

Body Material	Metal
Finish/Color	Matte Black
Type of Finish	Painted

Light Qty	6
Light Base	E12
Light Max Watt	60
Light Inc	No

Dimmable	Dimmable
LED Compatible	LED Compatible
Total Wattage	360W

Rated For	Damp Location
Voltage	120V

Approval	cUL or equivalent
Warranty	1 Year Limited
Install Position	Ceiling

Extension Length 39 (8+11+20)

Date:	Notes:
Fixture Type:	
Job Name:	

Lighting | LED | Shades | Custom Designs

www.dainolite.com | 1-888-564-1262 | dainolite@dainolite.com



TORONTO | BUFFALO