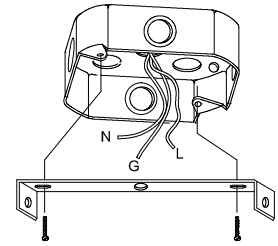
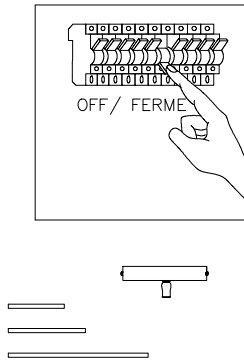
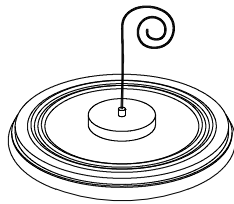
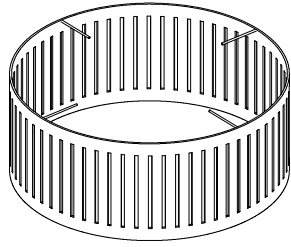


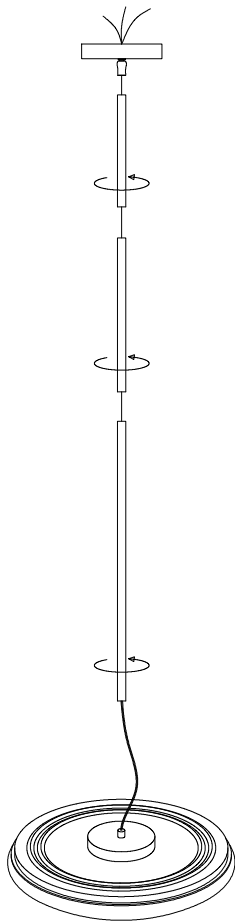


SDLED-20P

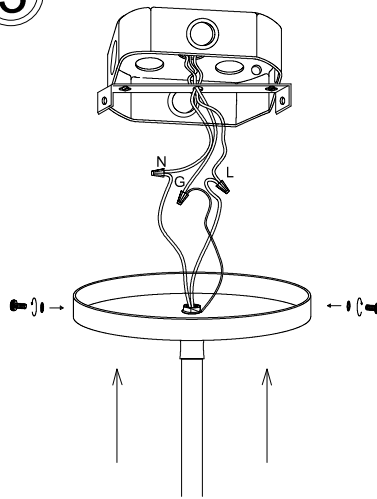
1



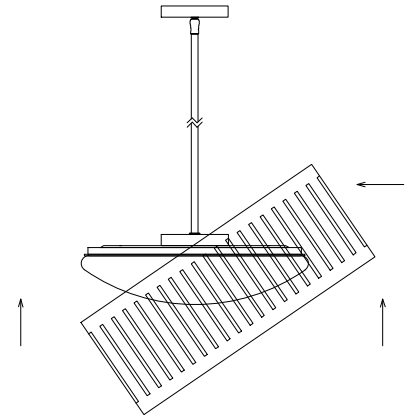
2



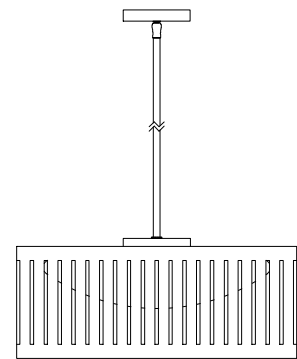
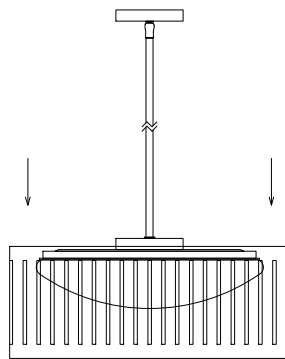
3



4



5



22 Watt LED Included / Inclus

1401 Courtney Park Drive East, Mississauga, Ontario, Canada L5T 2E4
Tel: (905) 564-1262 Fax: (905) 564-1299 Email: dainolite@dainolite.ca Web: www.dainolite.ca

02/2018