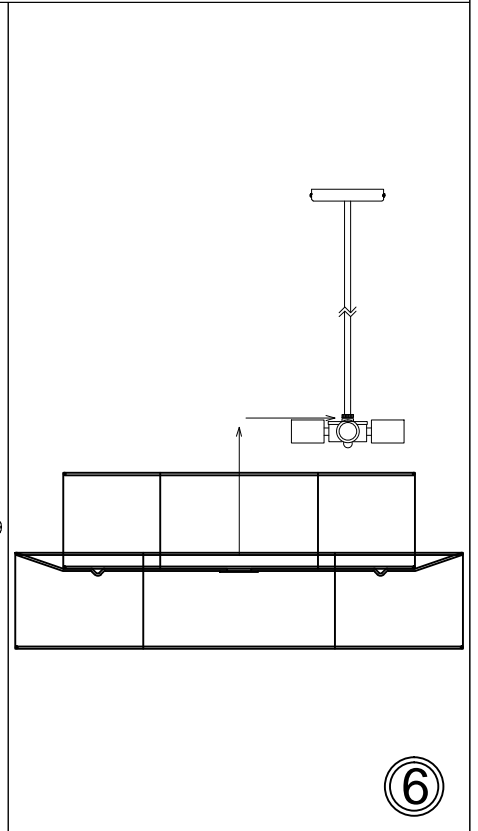
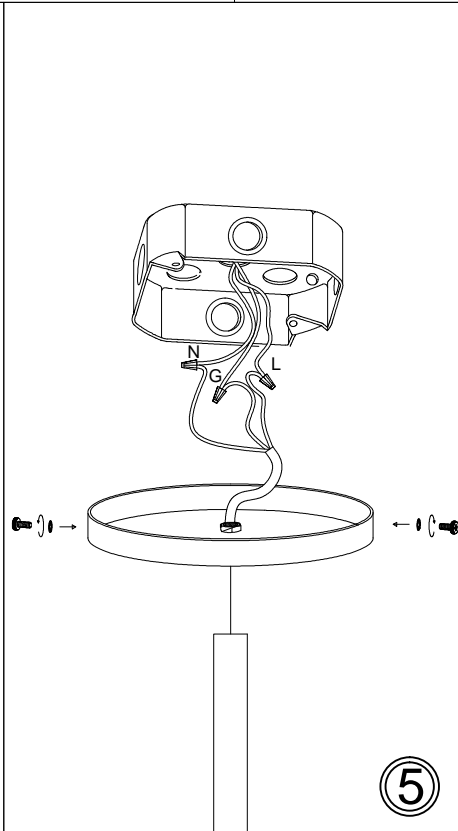
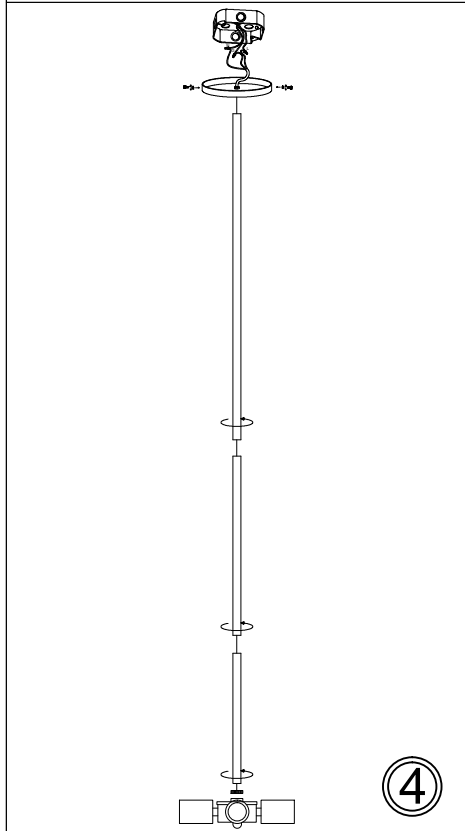
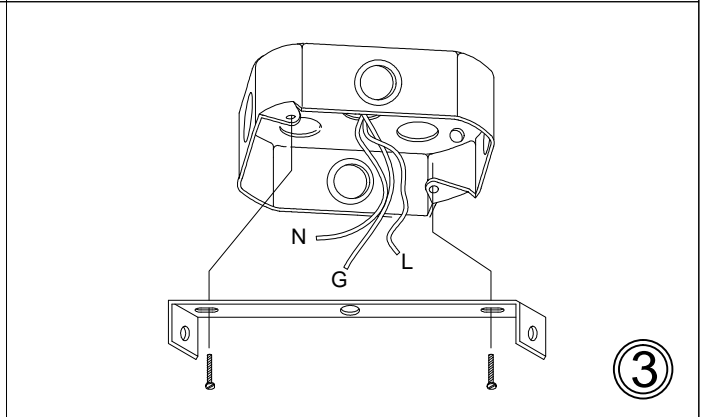
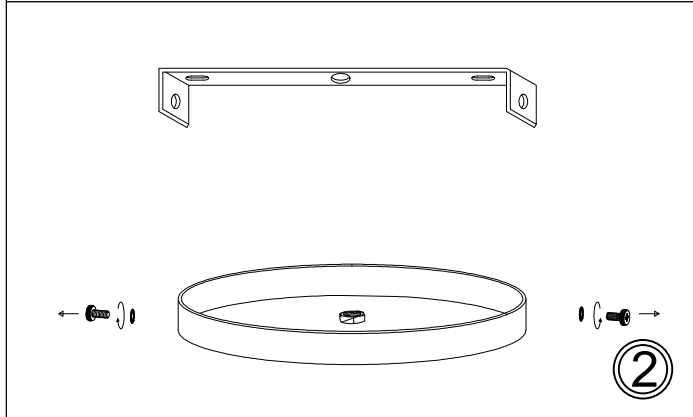
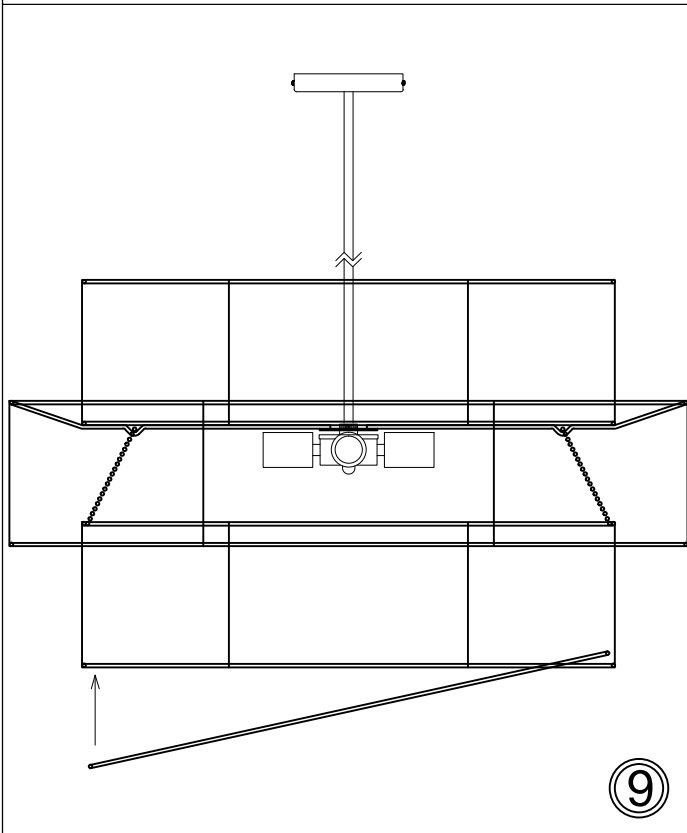
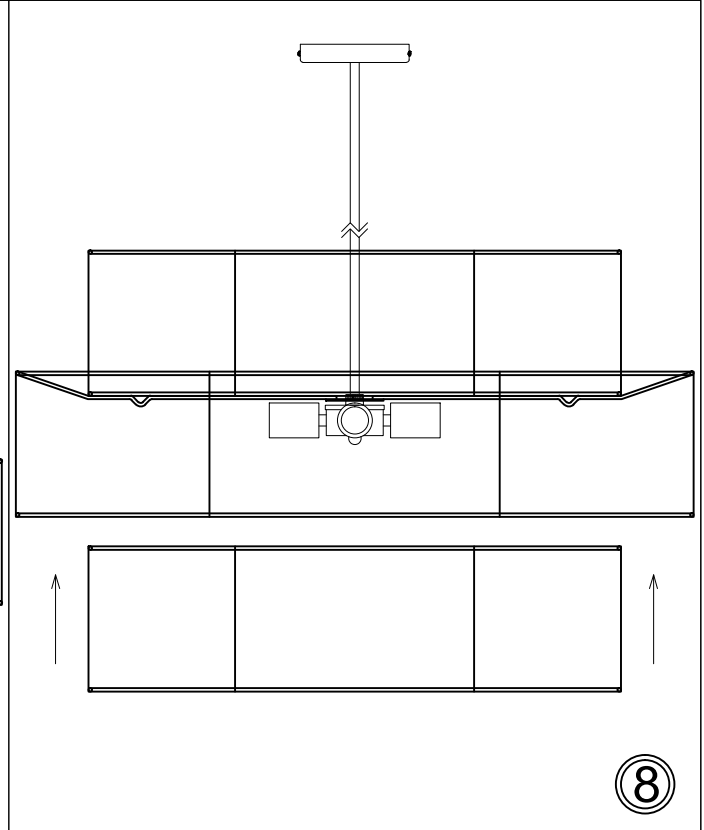
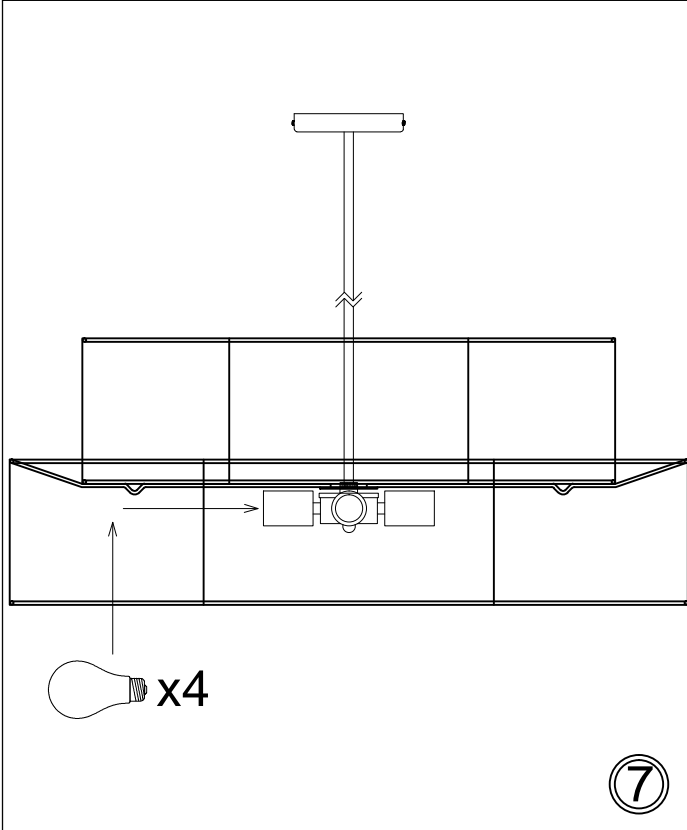


①

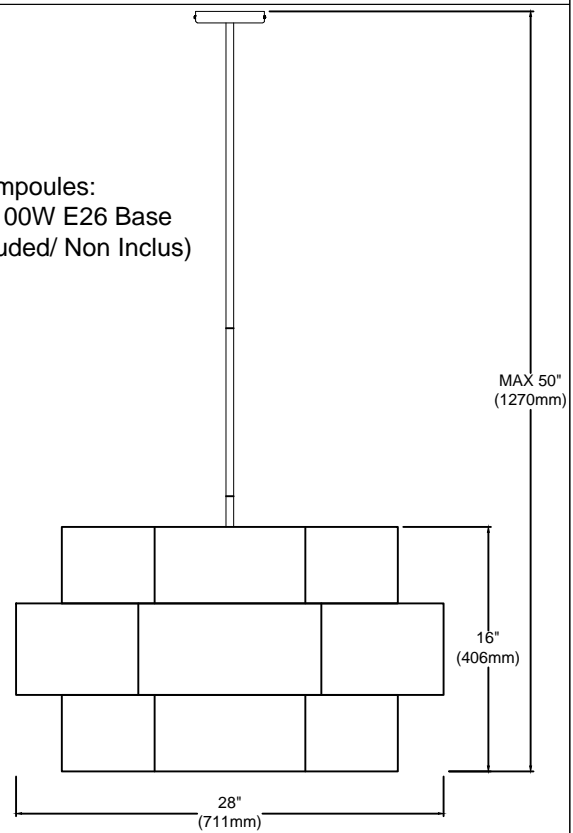




PLX-284C



Bulbs/ Ampoules:
4x Max 100W E26 Base
(Not Included/ Non Inclus)



1401 Courtney Park Drive East, Mississauga, Ontario, Canada L5T 2E4

Tel: (905) 564-1262 Fax: (905) 564-1299 Email: dainolite@dainolite.ca Web: www.dainolite.ca