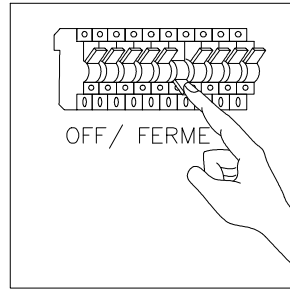
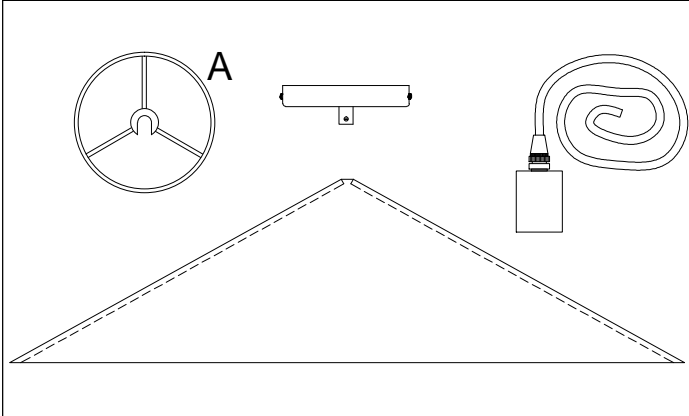
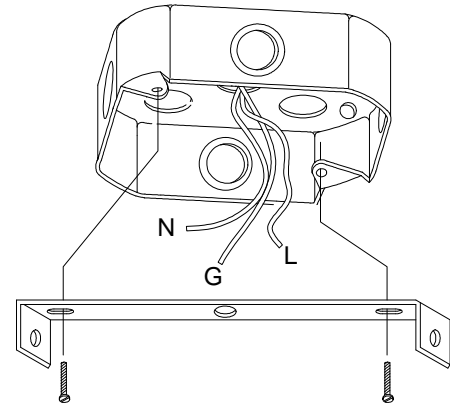
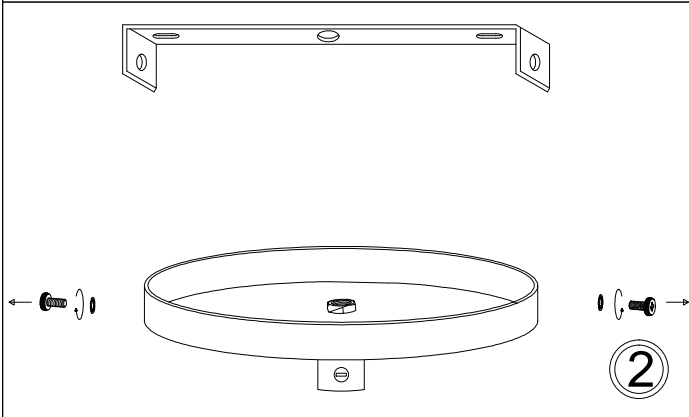




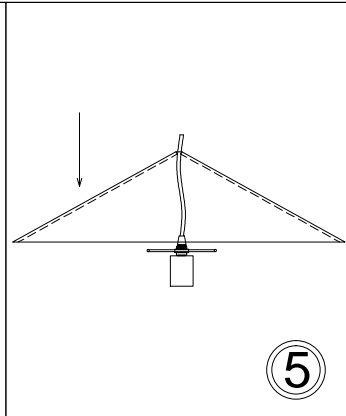
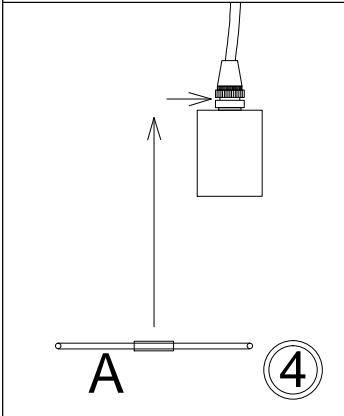
JES-241P-MB-500



1

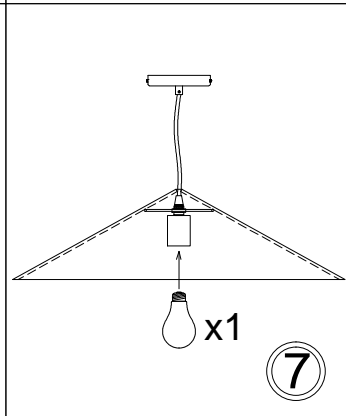
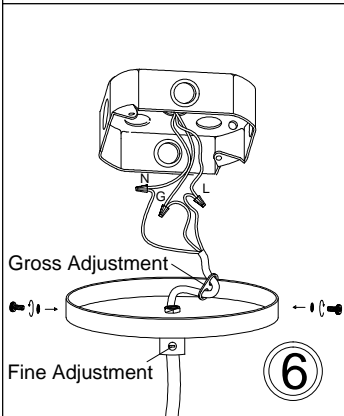


3

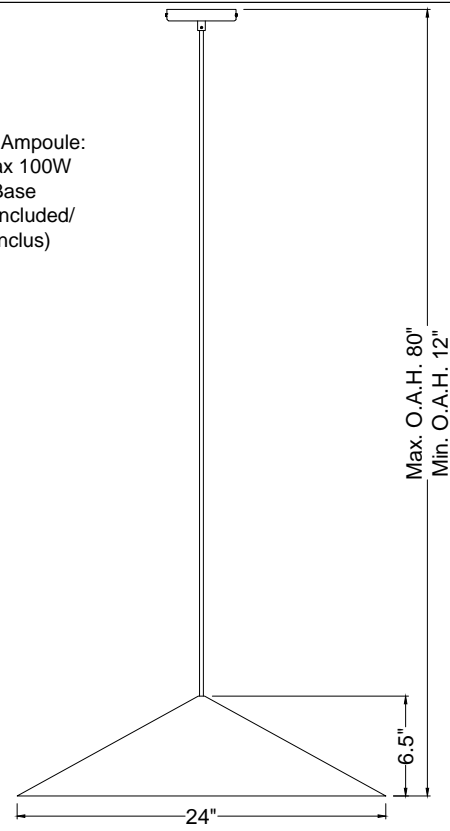


5

Bulb/ Ampoule:
1x Max 100W
E26 Base
(Not Included/
Non Inclus)



7



Max. O.A.H. 80"
Min. O.A.H. 12"

1401 Courtney Park Drive East, Mississauga, Ontario, Canada L5T 2E4

Tel: (905) 564-1262 Fax: (905) 564-1299 Email: dainolite@dainolite.ca Web: www.dainolite.ca

07/2021