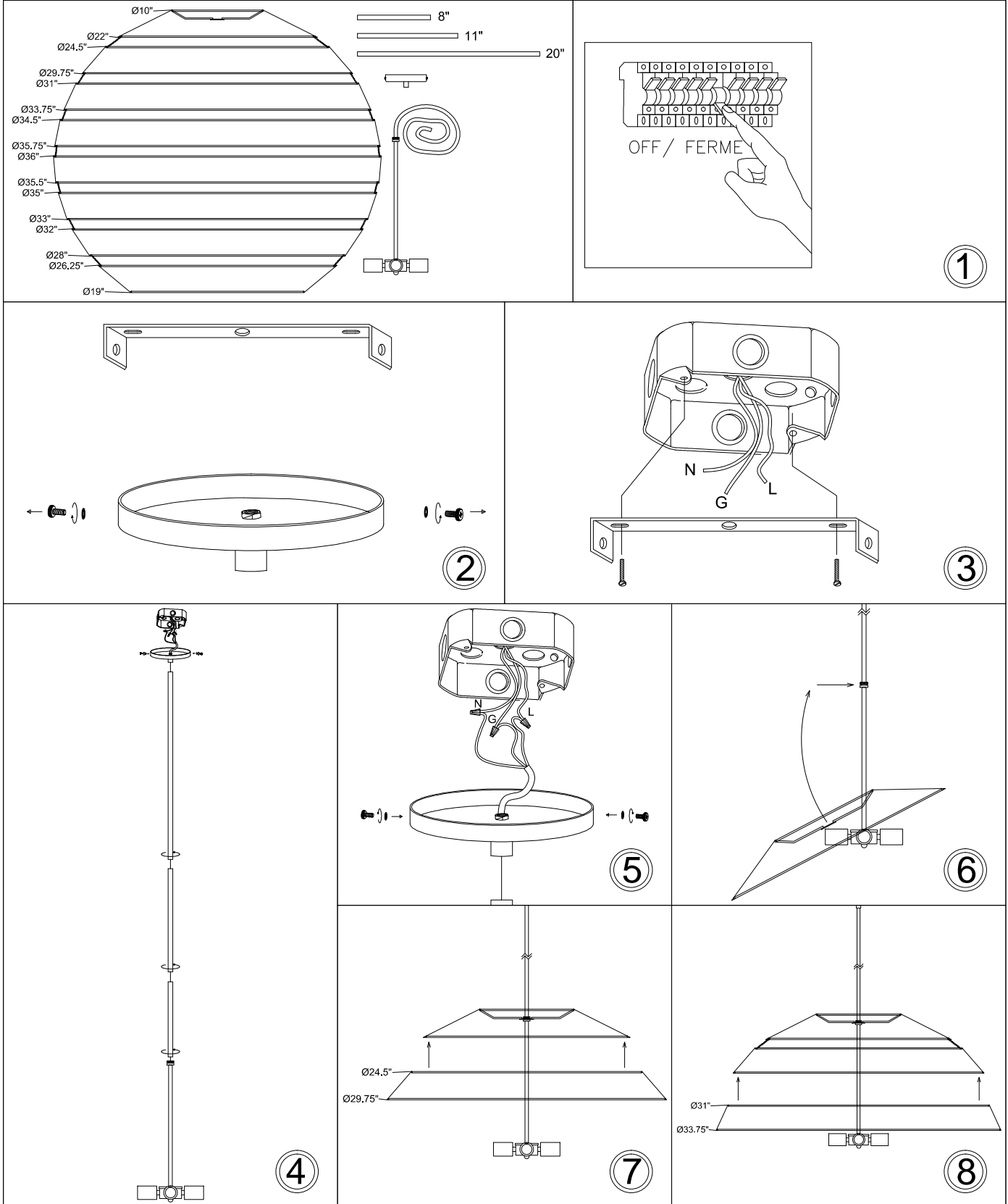




# HUL-364P

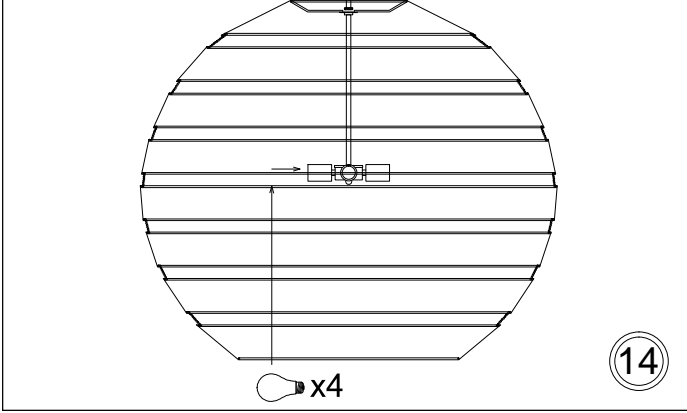
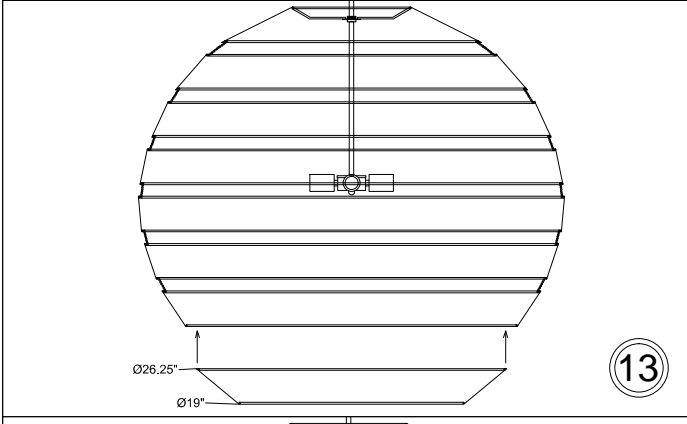
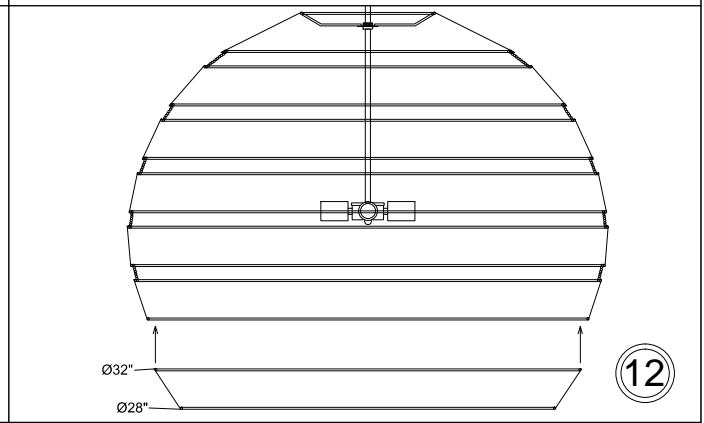
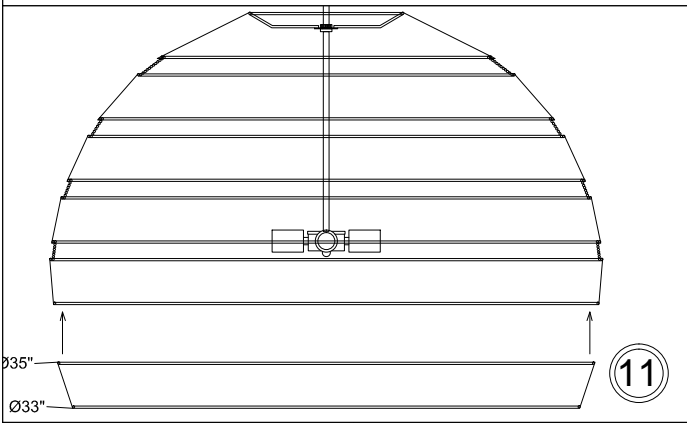
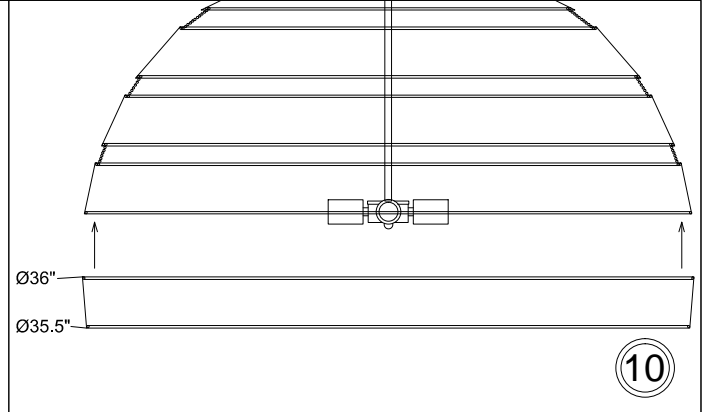
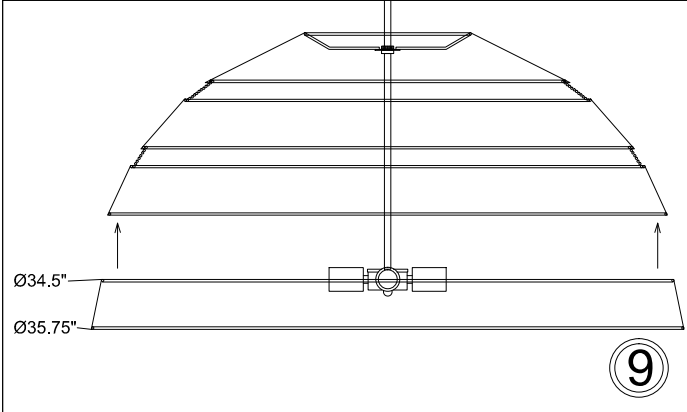


1401 Courtney Park Drive East, Mississauga, Ontario, Canada L5T 2E4

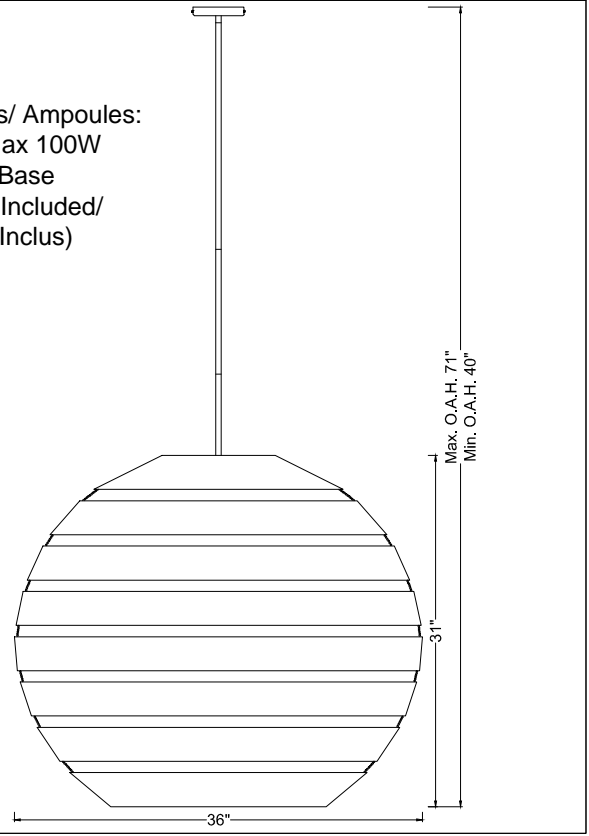
Tel: (905) 564-1262 Fax: (905) 564-1299 Email: [dainolite@dainolite.ca](mailto:dainolite@dainolite.ca) Web: [www.dainolite.ca](http://www.dainolite.ca)



# HUL-364P



Bulbs/ Ampoules:  
4x Max 100W  
E26 Base  
(Not Included/  
Non Inclus)



1401 Courtney Park Drive East, Mississauga, Ontario, Canada L5T 2E4  
Tel: (905) 564-1262 Fax: (905) 564-1299 Email: dainolite@dainolite.ca Web: www.dainolite.ca