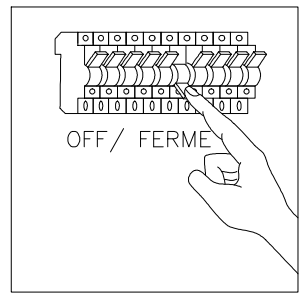
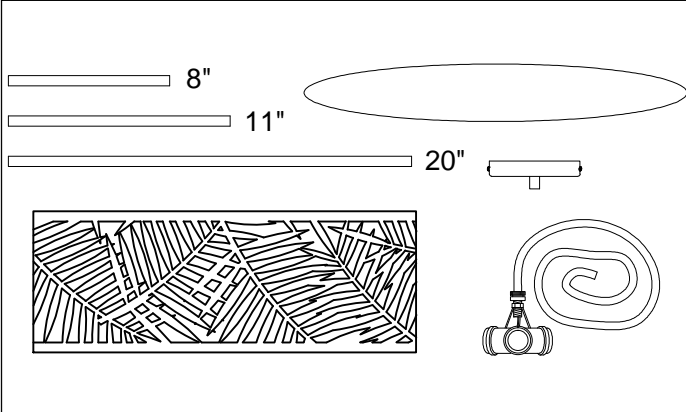
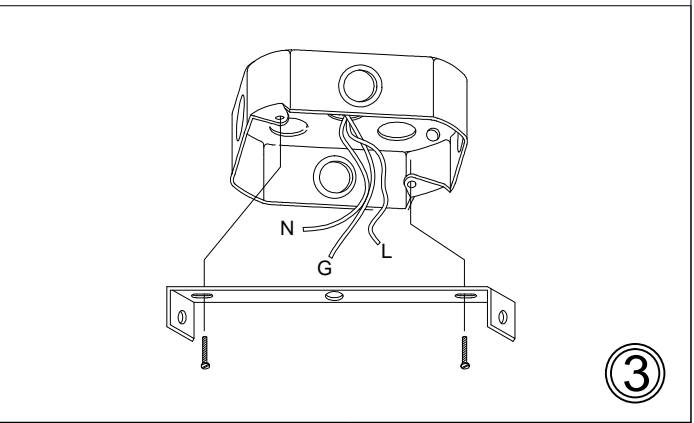
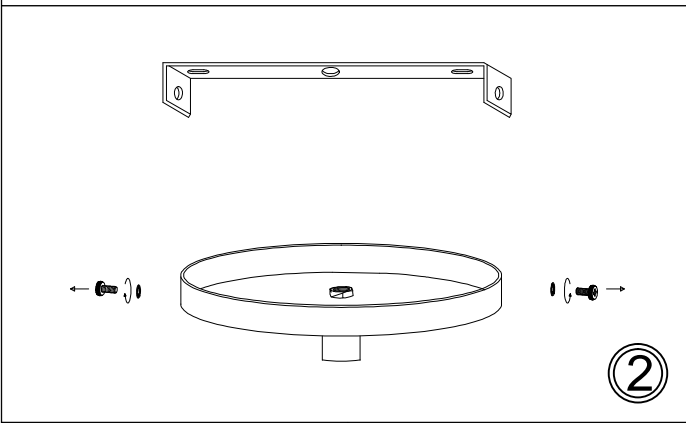




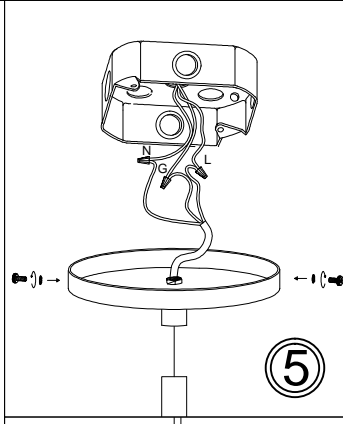
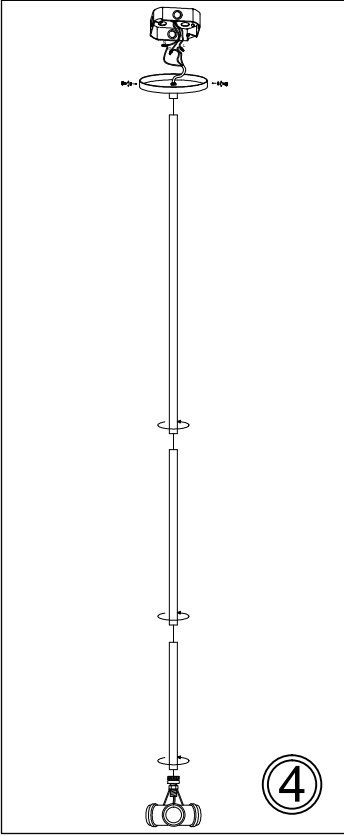
COZ-194P-PC-WH



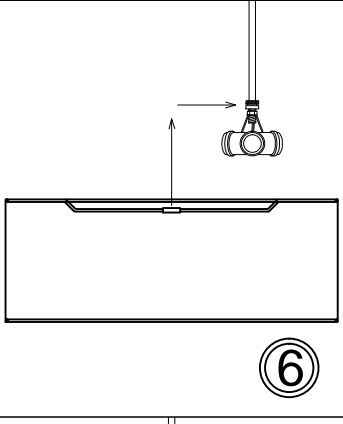
1



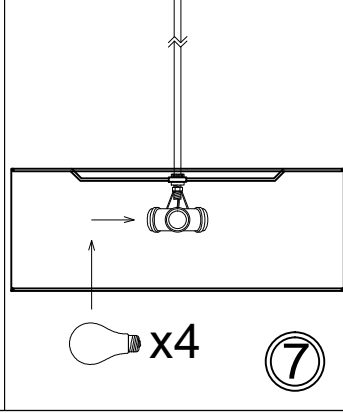
3



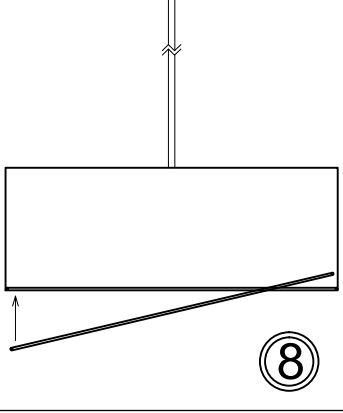
5



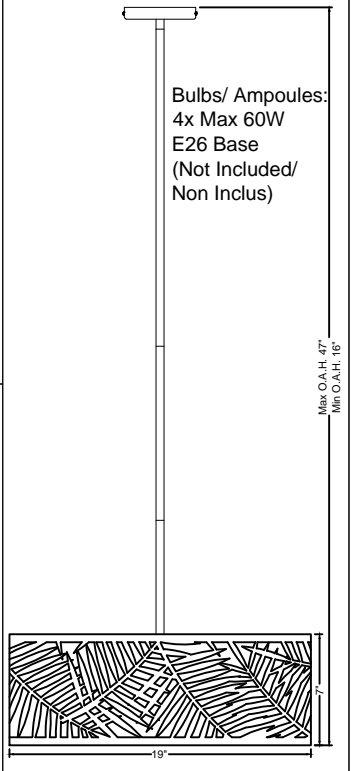
6



7



8



1401 Courtney Park Drive East, Mississauga, Ontario, Canada L5T 2E4
 Tel: (905) 564-1262 Fax: (905) 564-1299 Email: dainolite@dainolite.ca Web: www.dainolite.ca

02/2021